

UE Economy Undercounter Dishwasher

The Starline UE delivers no nonsense undercounter wash performance.

2 minute cycle activated by ergonomically positioned upper controls.

Low water consumption of 3 litres or less per cycle ensures highly efficient operation - minimising water, waste, power and chemical costs.

Upper and lower all stainless steel wash and rinse arms with removable end plugs for ease of cleaning.

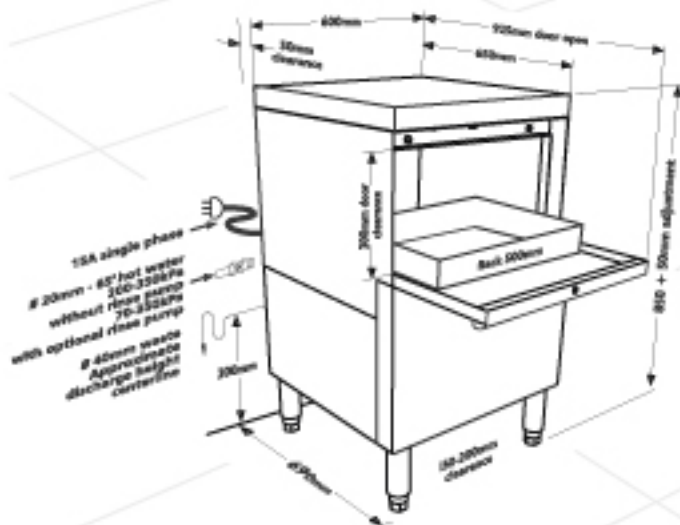
500mm dishracks.

300mm door clearance.

150mm legs - for cleaning access beneath machine.

Easy installation with 15 amp power requirement, cordset fitted. Reliable gravity drain connection standard, drain pump option available, but not normally required because of high drain connection point.

Supplied with one dishrack, one cuprack and two cutlery containers.



Installation drawing and detail overview.

Starline products are proudly manufactured in New Zealand by Washtech. Over 25 years Washtech has earned the position of Australasia's leading wash equipment manufacturer by providing robust, reliable machines designed for ease of service and years of effective, efficient operation.



ISO 9001 certified and audited since 1993 - our equipment complies with all local hygiene, electrical and plumbing regulations.

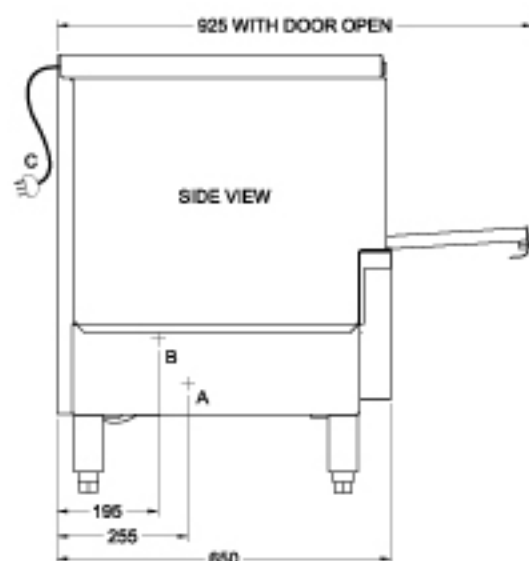
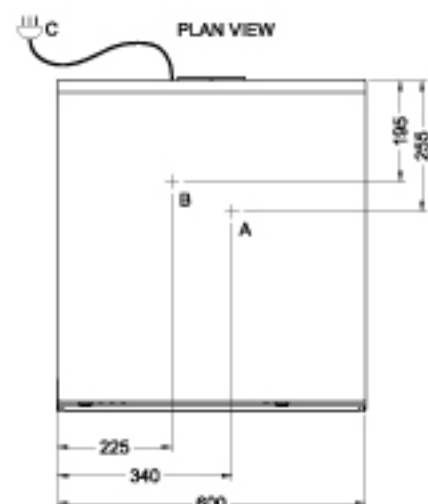
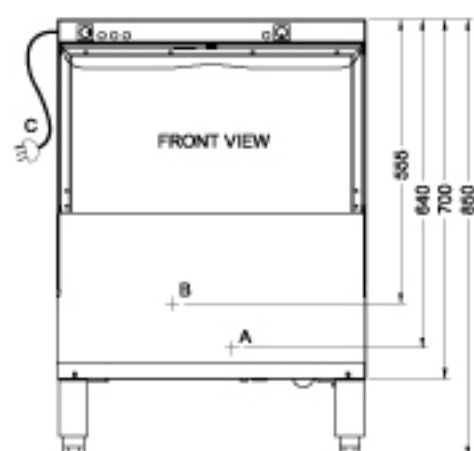


Washtech products are supported nationwide by the STARLINE Service Network to ensure long term access to parts and after sales support and service including preventative maintenance programmes.



In line with policy to continually develop and improve its products Washtech reserves the right to change specifications and design without notice.





ALL DIMENSIONS IN MILLIMETRES

- A WATER SUPPLY
- B WASTE
- C POWER SUPPLY

Installer must be suitably qualified and ensure compliance with all local codes and standards including AS/NZS3500.1. Failure to comply even partially with installation instructions may void the warranty. Install machine on sound waterproof self-draining floor, with adjacent surfaces sealed against water and/or light steam. Use the adjustable feet to level the machine. Allow room for detergent to one side of machine or in adjacent cupboard. 20 litre container requires about 450H x 250W x 350D but smaller containers are available from many suppliers.

Water Supply

| | |
|-----------------------|----------------------------|
| Hot water temperature | 65°C ± 5°C |
| Connection | 20 mm (3/4" BSP) male |
| Pressure | 200-350 kPa = 30-50 psi |
| Flow rate minimum | 20 litres per minute |
| Water consumption | 3 litres per cycle approx |
| Backflow prevention | Atmospheric Vacuum Breaker |

Pressure limiter may be required. Don't use small diameter plastic supply lines. FLUSH supply line before connection. Poor quality supply or excessive water hardness may affect performance or damage machine - filtration and/or softening is recommended. Optional rinse booster pump available for very low pressure supply.

Waste

40mm gravity drain - refer to point B in the installation diagram - run waste directly behind the machine or through hole in base.

Power

Electrical supply required is 15A 230V 50Hz via switched outlet adjacent to machine, which is supplied with cordset including 15A plug.

Detergent

Insert pump inlet hose into container of commercial low foam detergent. Open machine door and switch machine on. Press and hold detergent prime switch behind front cover until chemical flows into machine. Commercial detergents can be hazardous - read instructions and handle with care.



CHOICE CATERING EQUIPMENT LIMITED

Your first choice for catering equipment
ISO CERTIFIED SUPPLIER

FreePhone 0800-222-700

PO Box 51-466 Pakuranga, New Zealand