



Illuminated sign panel for branding & advertising (standard on TME650 & TME1000)

Consistent temperatures maintained by fan-forced ducted air flow

Standard SKOPE Cyclone™ refrigeration system

Five adjustable shelves per door as standard

Self-closing, double-glazed, toughened safety-glass doors with silver anodised aluminium frames

TME SERIES

DEPENDABLE AND RELIABLE, THIS SERIES GIVES YOU EXCELLENT VALUE FOR MONEY.

This series is the single biggest selling multi-purpose storage cabinet series around, enabling you to increase your refrigeration capacity without spending a fortune.

Generic Specifications

- Operating temperature adjustable from +1°C to +4°C in 40°C ambient
- Consistent temperatures maintained by fan-forced ducted air flow
- Thermometer display fitted on chiller
- Exterior: galvanised steel (powder coated white, excluding top) or natural finish stainless steel (excluding galvanised black powder coated top and back)
- Interior: galvanised steel (powder coated white) or natural finish stainless steel
- SKOPE Removable Cyclone™ integral refrigeration system
- Easy plug-in, 10 Amp power supply (230-240V, 50Hz), via mains flex
- Five adjustable shelves per door as standard
- Self-closing, double-glazed, toughened safety-glass doors with silver anodised aluminium frames
- Long life, replaceable magnetic door gaskets
- Illuminated interior with full length vertical fluorescent lights
- Insulation: 50mm thick, high density cyclo-isopentane polyurethane foam (CFC, HCFC & HFC free)
- R134a refrigerant (CFC & HCFC free)
- Plumbing free design
- Front lockable, swivel castors make installation, positioning and relocation easy

- Plain fascia panel in matching finish standard on TME1500, TMEF650 and TMEF1000
- Illuminated sign* standard on TME650 and TME1000

Freezer Specifications

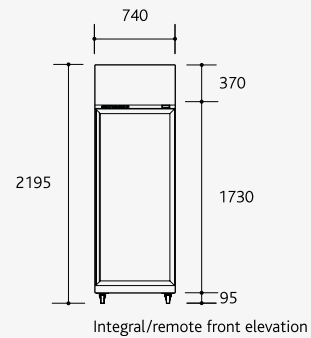
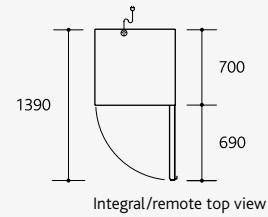
- Operating temperature adjustable from -18°C to -21°C in 40°C ambient for solid door freezers without lights
- Operating temperature adjustable from -18°C to -21°C in 32°C ambient for glass door freezers
- Self-closing, heated, triple-glazed, toughened safety-glass doors with silver anodised aluminium frames
- R404A refrigerant (CFC & HCFC free)
- Electronic controller
- Insulation: 50mm thick, high density cyclo-isopentane polyurethane foam (CFC, HCFC & HFC free)

Remote Specifications

- Thermostatic expansion valve fitted as standard (to suit R134a or R404A, please specify when ordering)
- Other refrigerants available if supported by suitable expansion valve
- See Remote Refrigeration System Specifications on page 102 for more information



TME650 - SOLID/GLASS DOORS



| Model | Weight (kg) | Integral/Remote | Chiller/Freezer |
|---------|-------------|-----------------|-----------------|
| TME650 | 173 | Integral | Chiller |
| TME650r | 153 | Remote | Chiller |

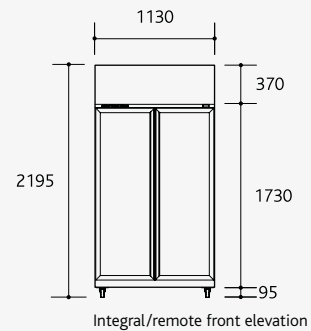
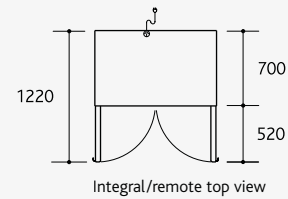
| | External (mm) | Internal (mm) | | Integral |
|---------|---------------|---------------|------------------|---------------------------------|
| Height* | 2195 | 1560 | Gross Volume | 610 litres |
| Width | 740 | 650 | Total Shelf Area | 1.76m ² (inc. floor) |
| Depth | 700 | 570 | Floor Area | 0.518m ² |

- Remote refrigeration duty 600 Watts
- One vivid, full length, vertical side light (35 Watts)
- Minimum 200mm clear ventilation space required above cabinet top

TME650
1 DOOR



TME1000 - SOLID/GLASS DOORS



| Model | Weight (kg) | Integral/Remote | Chiller/Freezer |
|----------|-------------|-----------------|-----------------|
| TME1000 | 227 | Integral | Chiller |
| TME1000r | 200 | Remote | Chiller |

| | External (mm) | Internal (mm) | | Integral |
|---------|---------------|---------------|------------------|---------------------------------|
| Height* | 2195 | 1560 | Gross Volume | 980 litres |
| Width | 1130 | 1030 | Total Shelf Area | 2.86m ² (inc. floor) |
| Depth | 700 | 570 | Floor Area | 0.791m ² |

- Remote refrigeration duty 900 Watts
- Two vivid, full length, vertical side lights (2 x 35 Watts)
- Minimum 200mm clear ventilation space required above cabinet top

TME1000
2 DOOR