

Electrolux Dishwashing

green&clean Undercounter

The Electrolux green&clean Dishwashing range is produced for customers with the highest conceivable demands for good efficiency, economy and ergonomics for dishwashing operations. The product range is comprised of glasswashers, undercounter dishwashers, hood type dishwashers, rack type dishwashers, flight type dishwashers and pot and pan washers. The undercounter dishwashers have a capacity of 864 dishes per hour or 48 baskets per hour.



400153

SANITIZATION AND PERFORMANCE

- The closed air gap, combined with the rinse booster pump offers perfect rinsing performances in terms of quality, high water temperature and pressure, always constant at 84°C during rinsing cycles and is independent from the water pressure of the network (with a minimum of 0.5 bar at 10 °C).
- The green light of the “Wash Safe Control” confirms that items have been properly rinsed.
- 4 second (variable) pause after washing and before rinsing ensures that no drops of unclean water will fall on the clean items at the end of the rinsing cycle.
- Three dishwashing programs:
1st cycle of 75 seconds for lightly

soiled items, 2nd cycle of 180 seconds for normally to heavily soiled items and 3rd cycle of 120 seconds for glasses (at 65°C rinse temperature).

- Fault auto-diagnosis system.
- ETL-Sanitization approved and compliant with NSF sanitization standards (paragraph 7.1)

LOW RUNNING COSTS

- An effective rinse system that uses only 3 litres of clean hot water per rack to ensure lower running costs (in energy, water and chemical consumption).
- Double skinned insulated door ensures a low noise level and a reduction in heat loss from the machine.

HYGIENE AND RELIABILITY

- All the machines have smooth surfaces to facilitate cleaning.
- Large wash tank with round corners and no pipes to avoid dirt built-up.
- The fully automatic self-cleaning cycle avoids the risk of bacteria proliferation.
- The boiler drain facilitates the evacuation of stagnant water after long periods of inactivity to ensure a higher level of hygiene.
- The drain pump is included to facilitate draining in all types of kitchen installations



Electrolux

**Electrolux Dishwashing
green&clean Undercounter**

- High efficiency closed air gap (class A) in water inlet circuit to avoid water being siphoned back into the network as a result of a sudden drop in main pressures.
- Front and side panels, door and wash tank made in heavy duty anti-corrosive AISI 304 stainless steel to guarantee appliance durability.
- 304 stainless steel boiler with higher welding protection improves the resistance against corrosion from chlorinated water.
- PVC water supply hose with metal connections resistant to high water pressure.
- Completely closed on the reverse by a cover plate while IPX4 water protection prevents external infiltrations.

FLEXIBILITY AND ERGONOMICS

- The incorporated Soft Start feature offers additional protection to delicate items such as glassware and crockery and increases wash pump reliability.
- Simple control panel with digital display allows on-site personalization of washing and rinsing cycle times and temperatures as well as precise rinse aid and detergent quantities depending on the customers needs.
- Three phase electrical connection convertible into single phase on-site.
- All machines are pre-arranged to accept external dispensers.
- Rinse aid and detergent dispenser included in all models.

- Model 400153 is provided with a double rack support which allows the use of 3 types of racks: the first rail support can accommodate standard 500x500 mm racks while the second rail support can accommodate either 17"x17" (435x435 mm) racks or 17"x14" (435x365 mm) racks, both of which stop in the middle of the washing chamber.
- Pre-arrangement for HACCP system implementation and Energy Management device.

EASY ON THE ENVIRONMENT

- 98% recyclable by weight.
- CFC free packaging.
- In compliance with CE requirements.
- Low noise level.
- Developed and produced in ISO 9001 and ISO 14001 certified factory.

* Duration cycles: declared actual cycle duration times can extend when water supply temperature is lower than 60°C.

TECHNICAL DATA	EUCADDROW 400153	EUCADDROW6 400154
Boiler type	Atmospheric	Atmospheric
Water supply		
temperature - °C	65	10-60
hardness - °f	7-14	7-14
Thermometer	●	●
Drain Pump	●	●
Rinse Booster Pump	●	●
Detergent dispenser	●	●
Rinse aid dispenser	●	●
N° of cycles	3	3
Duration cycles - sec.	75/180/120	75/180/120
Dishes capacity/h	864	864
Basket capacity/h	48	48
External dimensions - mm		
width	600	600
depth	610	610
height	820	820
Cell dimensions - mm		
width	500	500
depth	500	500
height	330	330
Washing cycle		
temperature -°C	71	71
tank capacity - lt.	33	33
power pump - kW	0.736	0.736
electrical elements - kW	2	2
Hot rinse cycle		
duration - sec.	12	12
temperature during rinse - °C	84	84
water consumption - lt./cycle	3	3
Boiler capacity - lt.	5.8	5.8
Boiler elements - kW	4.5	4.5
Power - kW		
Rinse pump	0.26	0.26
total power	5.35	5.35
Noise level - dBA	<70	<70
Net weight - kg.	60	60
Supply voltage	400 V, 3N, 50	230 V, 3, 60
Convertible to	230 V / 1+N / 50 Hz; 230 V / 3 / 50 Hz	230 V / 1+N / 60 Hz; 400 V / 3+N / 60 Hz

**Electrolux Dishwashing
green&clean Undercounter**

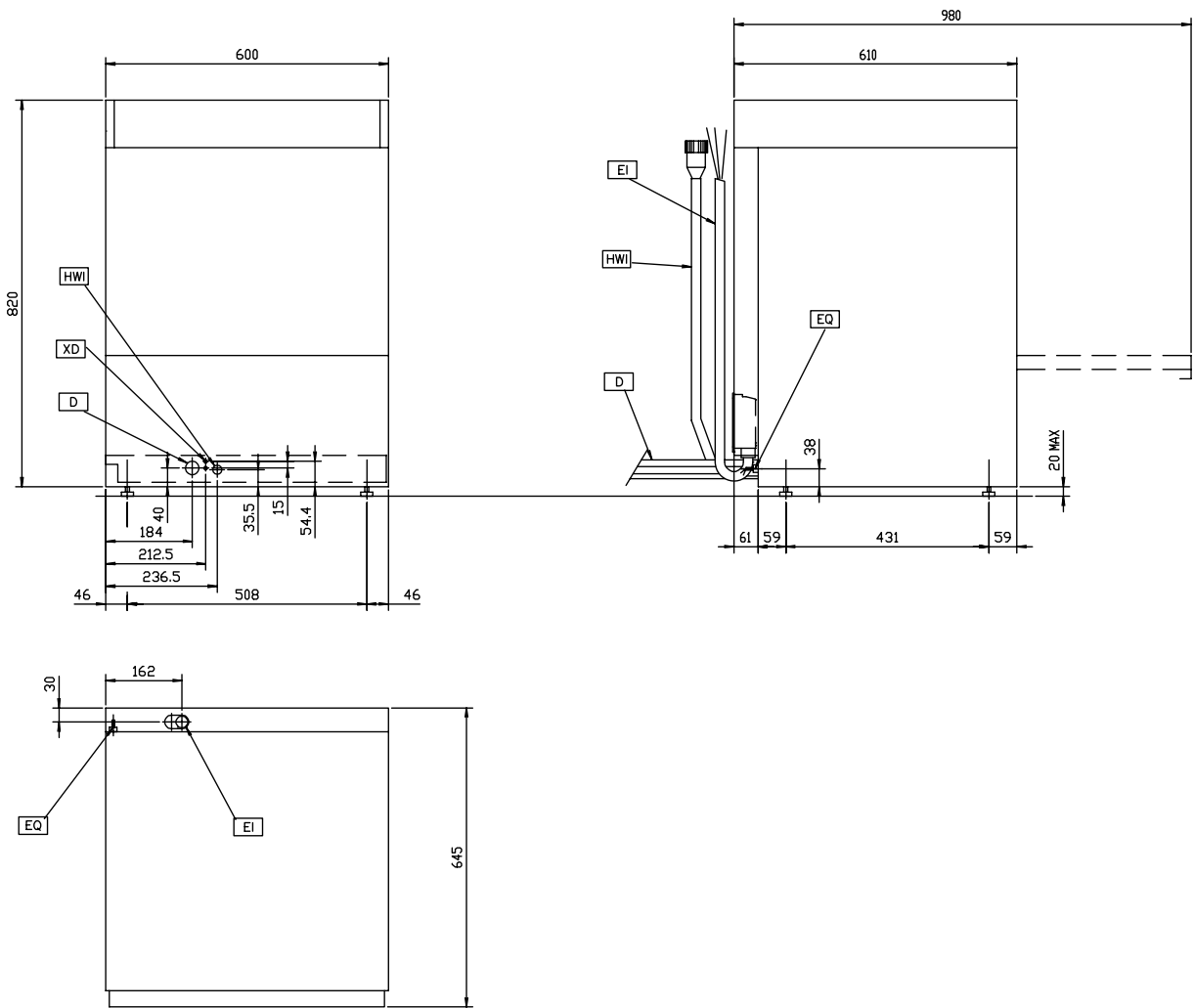
IBC010_Asia

2011-06-28

	EUCADDROW 400153	EUCADDROW6 400154
INCLUDED ACCESSORIES		
NOT TRANSLATED	1	1
BASKET FOR 18 DINNER PLATES 240MM-YELLOW	1	1
YELLOW CUTLERY CONTAINER	1	1
ACCESSORIES		
NOT TRANSLATED	922166	922166
12 L EXTERNAL MANUAL WATER SOFTENER	860412	860412
304 AISI BACK PANEL FOR UC ENTRY LEVEL	864246	864246
8 L EXTERNAL AUTOMATIC WATER SOFTENER	860413	860413
BASKET FOR 18 DINNER PLATES 240MM-YELLOW	867002	867002
BASKET FOR 48 SMALL CUPS/24 CUPS-BLUE	867007	867007
BASKET FOR 5 TRAYS 530X325MM-RED	867006	867006
COVER GRID FOR SMALL/LIGHT ITEMS IN RACK	867016	867016
DETERGENT LEVEL PROBE KIT FOR UC+HT DW	864004	864004
EXT.REVERSE OSMOSIS FILT-ATMOSPH. BOILER	864026	864026
FILTER FOR PARTIAL DEMINERALIZATION	864017	864017
FILTER FOR TOTAL DEMINERALIZATION	864015	864015
HACCP PRINTER KIT FOR UC, HT AND POTW	864002	864002
INTEGRATED HACCP KIT FOR UC, HT AND POTW	864001	864001
KIT 4 PLASTIC BOXES FOR CUTLERY-YELLOW	865574	865574
KIT TO MEASURE TOTAL/PART WATER HARDNESS	864050	864050
RINSE AID LEVEL PROBE KIT FOR UC+HT DW	864005	864005
STAINLESS STEEL INLET HOSE KIT	864016	864016
STAND FOR UNDERCOUNTER DISHWASHER	860418	860418
YELLOW CUTLERY CONTAINER	864242	864242

**Electrolux Dishwashing
green&clean Undercounter**

400153, 400154



IBC010_Asia

2011-06-28

LEGEND	EUCADDROW 400153	EUCADDROW6 400154
D - Water drain	40 mm	40 mm
EI - Electrical connection	400 V, 3N, 50	230 V, 3, 60
EQ - Equipotential Screw	●	●
HWI - Hot water inlet	G 3/4"	G 3/4"
XR - Connection for detergent dispenser	●	●